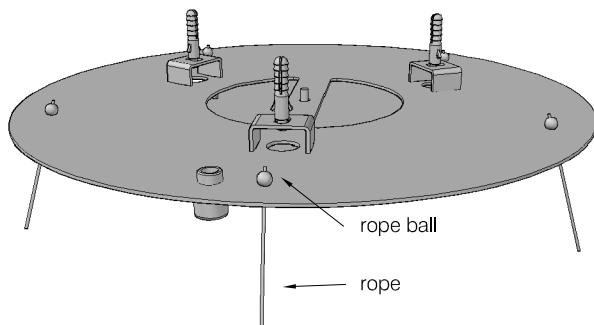
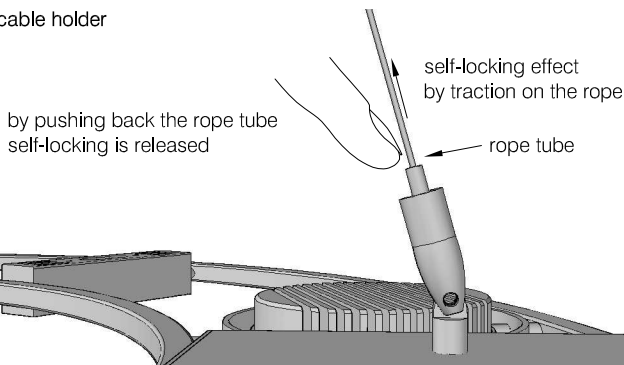


canopy from above



cable holder



Note:

The distance to the ceiling, as well as to objects and persons under the luminaire, must be in each case at least 0.5m.

ATTENTION!

Before installation, the connecting cable must be de-energized.

Assembly:

It is recommended that the installation be carried out by a specialist company. We ask for your understanding that we can only assume a warranty if properly installed.

1. Determine the position of the chandelier in the room and place it on a clean, soft surface on the floor first.
2. Solder the center of the lamp to the ceiling (to the power cable in the ceiling) and attach the canopy mounting plate to the ceiling.
3. Pull the ropes up to the stop (rope ball) from above through the rope holes of the canopy.
4. Insert the rope ends into the rope holders of the chandelier and pull the rope through the rope holder until the chandelier hangs at the desired height.
5. Insert the light cable from below through the strain relief of the canopy and guide it through the cable opening.
6. Then shorten the cable to the desired length and connect it to the supply line.
7. Screw the cover onto the mounting plate. Make sure that you do not turn further when the plate touches the support points of the plate.
8. Adjust the candlestick with the aid of a spirit level and then shorten the projecting ropes. Observe the illustration for handling the cable holders.
9. Adjust the cable length and slightly tighten the strain relief locking screw.

Dimming:

The candlestick is equipped with a rotary knob

Cleaning:

It is recommended to clean the lamp with a soft, dry cloth. The glass elements can be cleaned with any commercially available glass cleaner.

