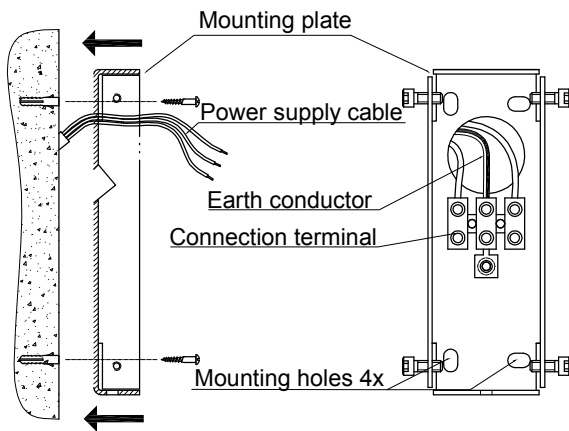


Stilio Wandleuchte

Light source: Halolux 70W (Osram), Socket: E14

The lamp has been designed and built in accordance with applicable harmonised standards and other technical specifications. It is therefore state-of-the-art and ensures safe operation. The lamp may only be used for the intended purpose.

Mounting the mounting plate



Note:

Position the lamp at eye level or just slightly higher. This prevents being dazzled by the light. The safety distance from the ceiling and from, e.g. a table below the lamp, must be a minimum of 0.5 m.

ATTENTION!

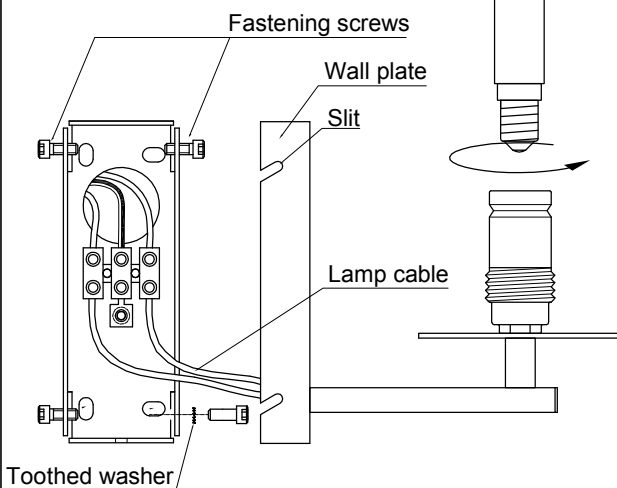
The connection cable must be isolated from the mains before assembly.

Assembly:

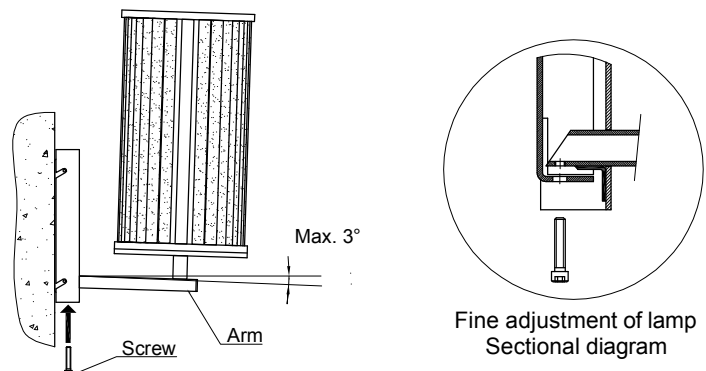
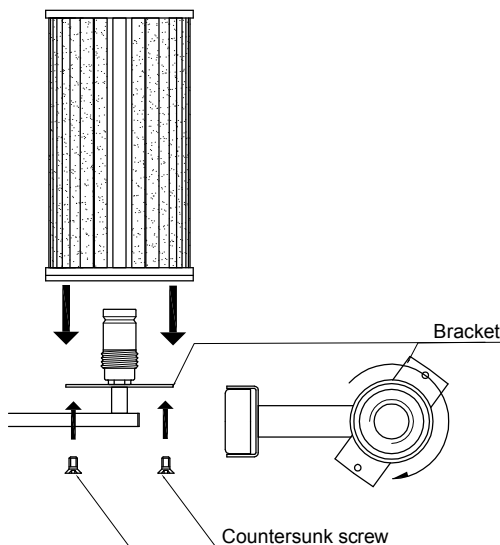
It is recommended that assembly is implemented by a specialist company. We ask for your understanding that we can only offer a guarantee if assembly is implemented correctly.

- ① Feed the supply cable through the opening and mark the boreholes through the mounting holes of the mounting plate.
- ② Attach the mounting plate with dowels and screws to the wall.
- ③ Connect the supply cable with the connection terminal. Ensure that the protective earth conductor (green/yellow) is placed in the earth conductor position.
- ④ Connect the lamp cable with the connection terminal. The lamp is earthed when the wall plate is correctly connected with the mounting plate (see Point 6).
- ⑤ Push the wall plate with the slits over the fastening screws of the mounting plate. Make sure that no cables are trapped. The lamp cable must lead downwards.
- ⑥ Press the wall plate on lightly and tighten the four fastening screws. It must not be possible to undo the fastening screws by hand. Attach a toothed washer on one of the four screws to prevent the screw from becoming loose. (According to DIN EN 60598, loosening of mechanical connections that represent a protective earth connection must be prevented). The light may only be operated when it has been fully assembled.
- ⑦ Insert the bulb.
- ⑧ Mount the glass element on the bracket, this can be turned for the assembly step.
- ⑨ Screw the accompanying screw from below into the wall plate to align the lamp. This will raise the lamp by up to 3°.

Mounting the wall plate



Mounting the glass element



Dimming:

The lamp can be dimmed with any commercial dimmer.

Cleaning:

We recommend cleaning the lamp with a soft, dry cloth. A commercial glass cleaner can be used to clean the glass rods.